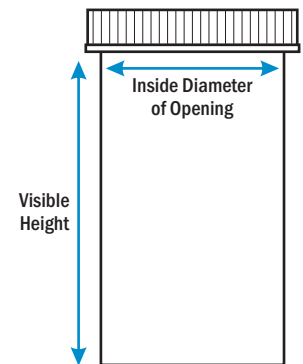


Push-N-Turn Vials w/ Child-Resistant Caps

Vial Dimensions

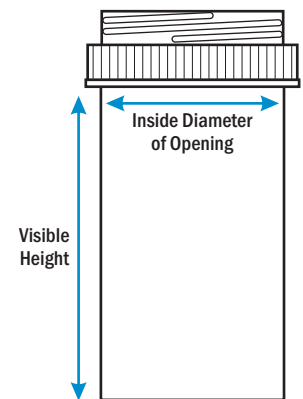
Description	Inside Diameter of Opening	Circumference	Visible Height
Push-N-Turn Child Resistant Vial - 6 DR	0.875"	2.745"	2.1875"
Push-N-Turn Child Resistant Vial - 8 DR	1.00"	3.140"	2.3125"
Push-N-Turn Child Resistant Vial - 13 DR	1.25"	3.925"	2.3125"
Push-N-Turn Child Resistant Vial - 16 DR	1.25"	3.925"	2.875"
Push-N-Turn Child Resistant Vial - 20 DR	1.625"	5.1025"	2.3125"
Push-N-Turn Child Resistant Vial - 30 DR	1.625"	5.1025"	3.375"
Push-N-Turn Child Resistant Vial - 40 DR	1.8125"	5.495"	3.50"
Push-N-Turn Child Resistant Vial - 60 DR	1.8125"	5.495"	5.125"



Reversible Vials w/ Dual-Purpose Caps

Vial Dimensions

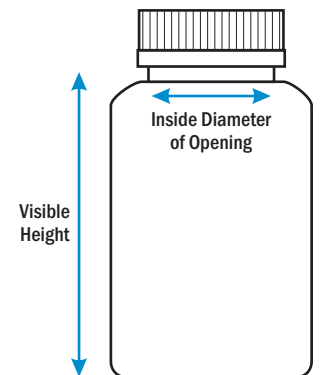
Description	Inside Diameter of Opening	Circumference	Visible Height
Reversible Vial w/ Dual-Purpose Cap - 8 DR	1.00"	3.140"	2.3125"
Reversible Vial w/ Dual-Purpose Cap - 13 DR	1.25"	3.925"	2.3125"
Reversible Vial w/ Dual-Purpose Cap - 16 DR	1.25"	3.925"	2.875"
Reversible Vial w/ Dual-Purpose Cap - 20 DR	1.625"	5.1025"	2.3125"
Reversible Vial w/ Dual-Purpose Cap - 30 DR	1.625"	5.1025"	3.375"
Reversible Vial w/ Dual-Purpose Cap - 40 DR	1.8125"	5.495"	3.50"
Reversible Vial w/ Dual-Purpose Cap - 60 DR	1.8125"	5.495"	5.3125"



Preferred Vials w/ Child-Resistant Caps

Vial Dimensions

Description	Inside Diameter of Opening	Circumference	Visible Height
Preferred Child Resistant Vial - 8 DR	0.75"	3.140"	2.25"
Preferred Child Resistant Vial - 11 DR	0.875"	3.725"	2.25"
Preferred Child Resistant Vial - 13 DR	1.00"	4.125"	2.375"
Preferred Child Resistant Vial - 16 DR	1.00"	4.125"	3.00"
Preferred Child Resistant Vial - 20 DR	1.25"	5.295"	2.625"
Preferred Child Resistant Vial - 30 DR	1.25"	5.495"	3.125"
Preferred Child Resistant Vial - 40 DR	1.25"	6.475"	3.25"
Preferred Child Resistant Vial - 60 DR	1.25"	6.675"	3.50"



Snap Cap Vials w/ Caps

Vial Dimensions

Description	Inside Diameter of Opening	Circumference	Visible Height
Snap Cap Vial - 6 DR	0.875"	2.745"	2.125"
Snap Cap Vial - 8 DR	1.00"	3.140"	2.3125"
Snap Cap Vial - 13 DR	1.25"	3.925"	2.3125"
Snap Cap Vial - 16 DR	1.25"	3.925"	2.875"
Snap Cap Vial - 20 DR	1.75"	5.495"	2.125"
Snap Cap Vial - 30 DR	1.75"	5.495"	2.4375"
Snap Cap Vial - 40 DR	1.75"	5.495"	3.375"
Snap Cap Vial - 60 DR	1.75"	5.495"	5.125"

